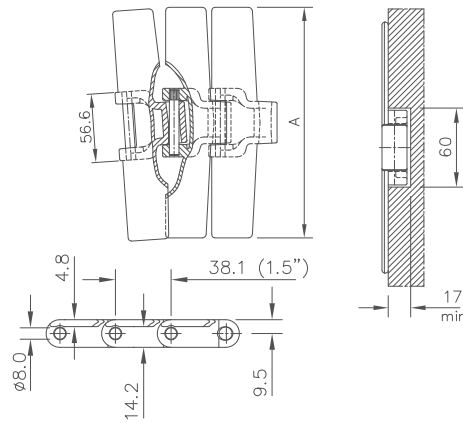
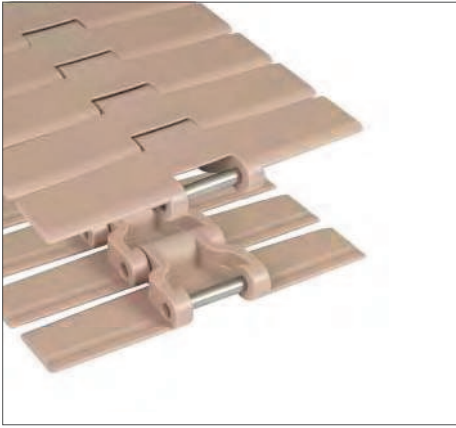


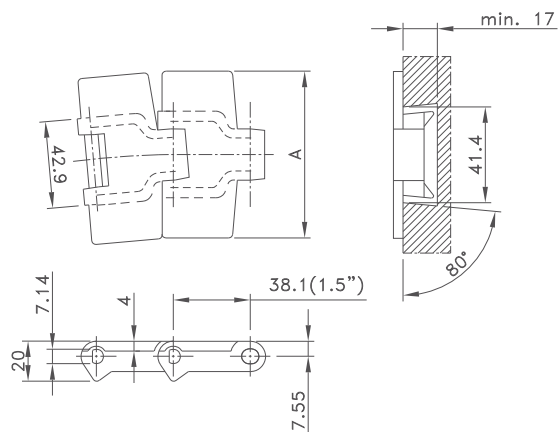
Magnetflex® Heavy Duty



Chain Type	Code Number	Plate Width A		Weight kg/m	Working Load (max.) N (21°C)	Backflex Radius (min) mm	Sideflex Radius (min) mm	Plate Thickness mm
		mm	inch					
XL-Acetal								
HDFM 750 XL	751.32.72	190.5	7.50	2.16	3830	50	610	4.8
HDFM 1000 XL	751.32.90	254.0	10.00	2.42				
HDFM 1200 XL	751.32.92	304.8	12.00	2.69				

Standard length: 3.048 m - 10 feet (80 links)

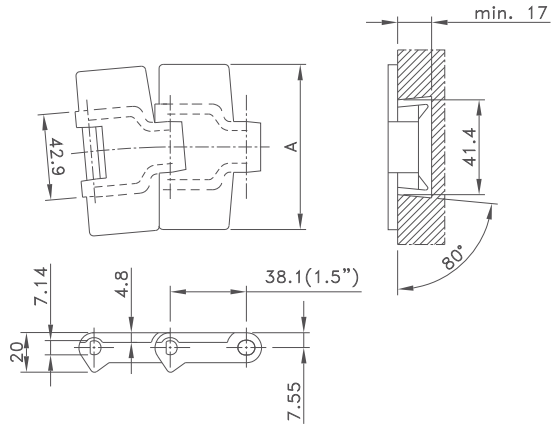
Standard Radius Single Hinge Bevel



Chain Type	Code Number	Plate Width A		Weight kg/m	Sideflex Radius (min) mm	Working Load (max.) N (21°C)	Backflex Radius (min) mm	Plate Thickness mm
		mm	inch					
LF-Acetal								
LF 880-K325	L0880603981	82.5	3.25	0.89	457	2100	40	4.0
LF 880-K450	L0880603991	114.3	4.50	1.04				
BWX-Polyamide Composite								
BWX 880-K325	L0880651953	82.5	3.25	0.89	457	2100	40	4.0
BWX 880-K450	L0880649743	114.3	4.50	1.04				

Standard length: 3.048 m - 10 feet (80 links)

Standard Radius Single Hinge Bevel With Thick Top Plate



Chain Type	Code Number	Plate Width A		Weight kg/m	Sideflex Radius (min) mm	Working Load (max.) N (21°C)	Backflex Radius (min) mm	Plate Thickness mm
		mm	inch					
LF-Acetal								
LF 879-K325	LF879K3-1/4	82.5	3.25	0.89	457	2100	40	4.8
LF 879-K450	LF879K4-1/2	114.3	4.50	1.04				

Standard length: 3.048 m - 10 feet (80 links)